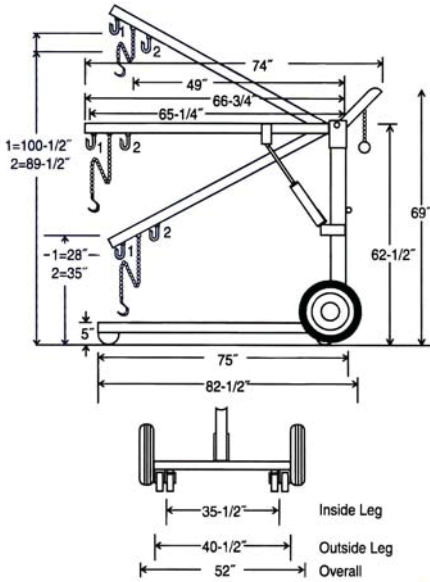
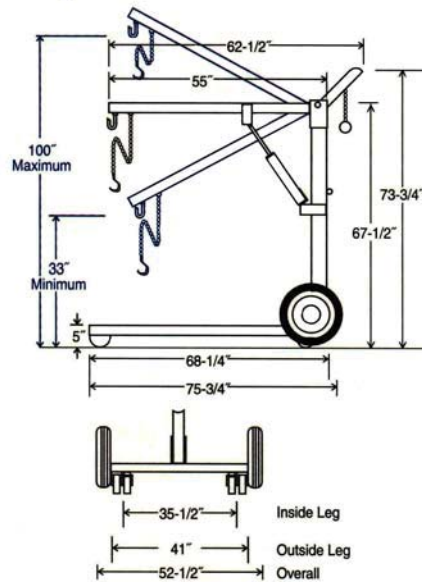


Specifications

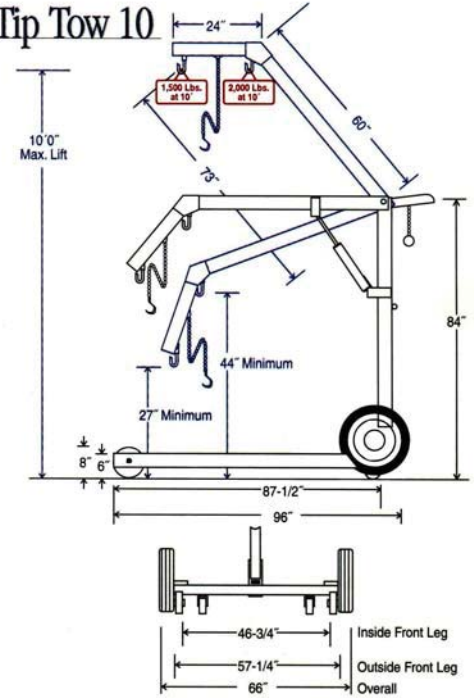
Tip Tow II



Tip Tow 3000



Tip Tow 10



Towable Models

- The hooks on the booms are grab hooks so the chain may be adjusted to any height.
- The boom chains are long to hook into the base when towing to prevent the lift from "jack-knifing."
- The Tip Tow II and the Tip Tow 10 have two hooks on the boom with different lifting capacities.

	Outer Hook	Inner Hook
Tip Tow II	1000 Lbs.	1500 Lbs.
Tip Tow 10	1500 Lbs.	2000 Lbs.
Tip Tow 3000	Total Capacity 3000 Lbs.	
Towing Wheels		
Tip Tow II and Tip Tow 3000	4.80x8	
Tip Tow 10	5.70x8	
Bearings in tow wheel	high speed, tapered cone bearings.	

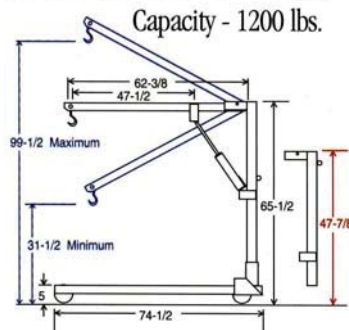
Coupler on all models	Standard-Fulton for 2" and 2-1/8" ball.
Optional-Croft cast steel for 2" and 2-1/8" ball.	
Shipping Weights:	
Tip Tow II	307 Lbs.
Tip Tow 3000	365 Lbs.
Tip Tow 10	530 Lbs.

ICF Industries, Inc.

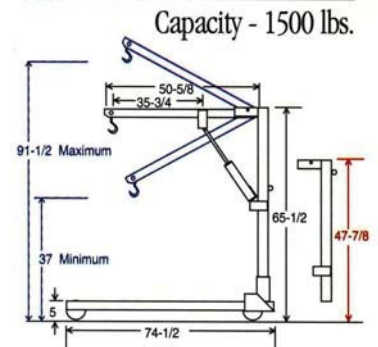
617 South Main Street
Pleasant Hill, MO 64080 USA
Phone: (816) 540-4200
Fax: (816) 540-4299
Website: www.icfinc.com
Email: sales@icfinc.com



KD 1200



KD 1500



Knockdown Models

KD Lifts use a swivel slip hook at the end of the boom.

Shipping:	KD 1200	KD 1500
Carton	9" x 20" x 76"	9" x 20" x 72"
Weight	294 Lbs.	279 Lbs.

Short Column post converts any standard Lift to a Van Lift.

Engine Sling—adjustable, plated proof coil change. Cap. 1250 Lbs.

